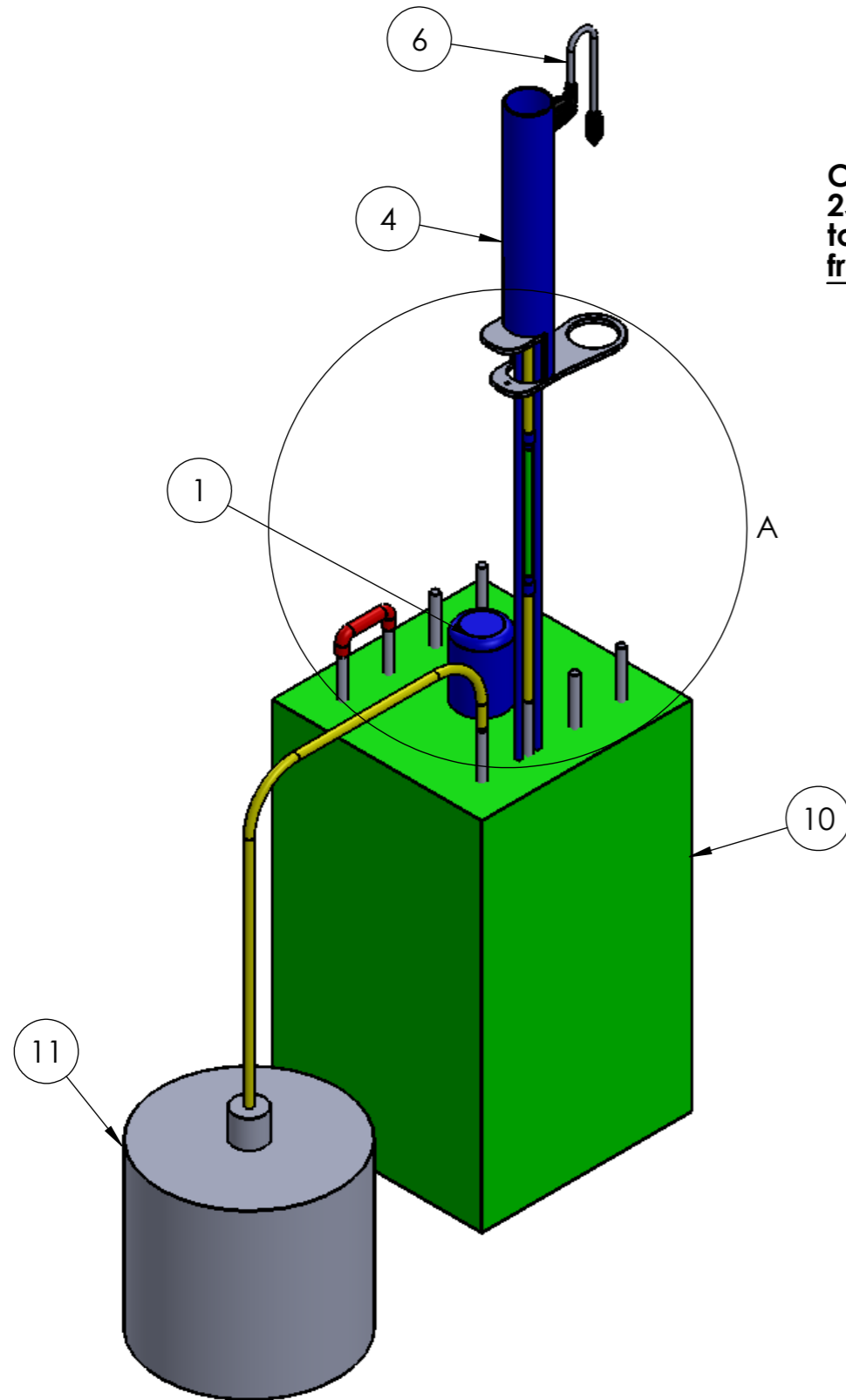
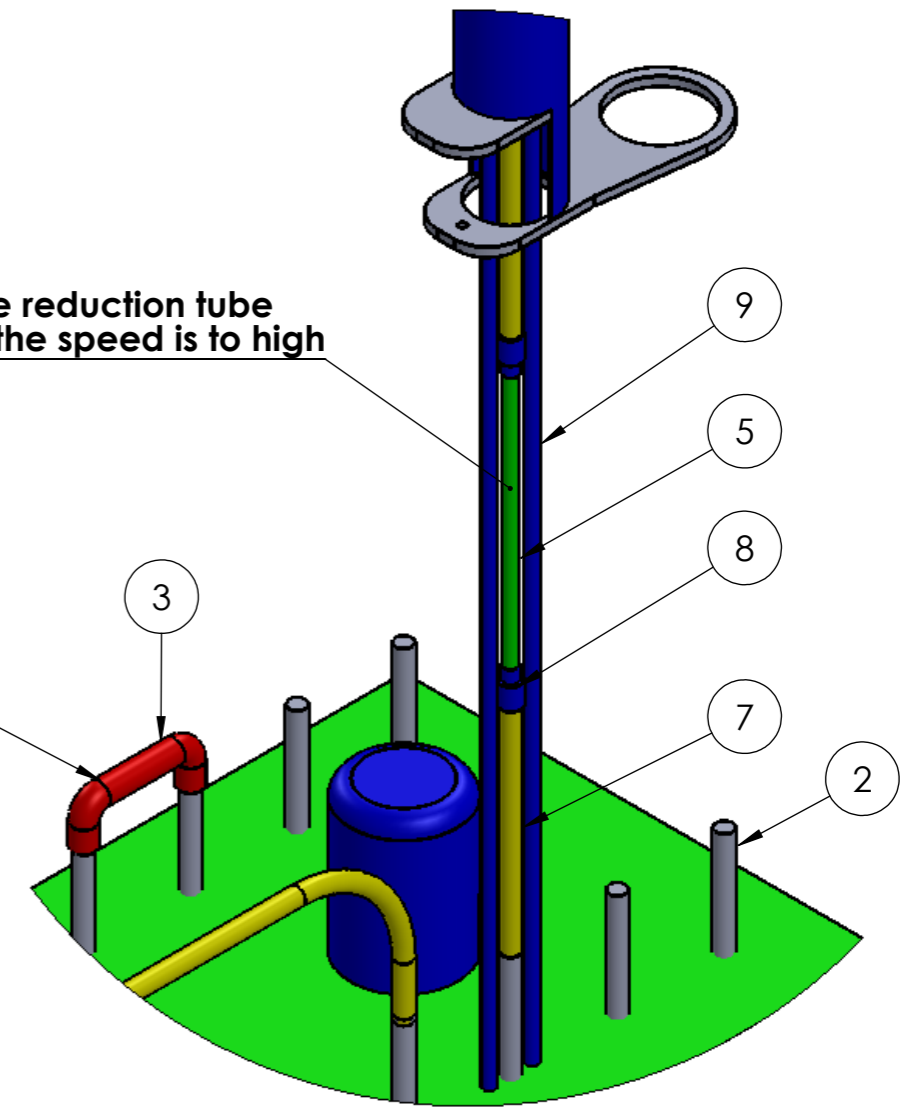


How to install a standard beer cool together with the Easy Tap or Event Tap



Connect 2 coils in a series. You need minimum 25 m coil with an internal diameter on 7-8mm, to be able to cool 6 liter of beer per minute from: 25 degrees Celsius => 2-3 degrees Celsius

Only use the reduction tube if you think the speed is to high



ITEM NO.	PART NUMBER	QTY.
1	Pump	1
2	Coil : 12-15m long, Internal diameter 7-8mm	4
3	Connection between coils	1
4	Tower	1
5	Reduction tube internal diameter 4mm - 25 cm long	1
6	Easy Tap	1
7	Beer tube internal diameter 7mm	2
8	Speed fitting	2
9	Cooling of Tower	1
10	Water tank - ICE BANK 15-30 kg	1
11	Keg - 25 degrees Celsius	1

Instalation of Easy Tap and Event Tap

A3